

The HELLA logo is positioned in the top right corner. It features the word "HELLA" in a bold, black, sans-serif font. The letter "E" is stylized with three horizontal bars in yellow, red, and blue, extending from the left side of the letter.

HELLA

The background of the entire page is a photograph of a modern building's facade. It features a grid of windows with horizontal blinds. The blinds are partially open, allowing light to filter through. The image is in black and white, except for a large, semi-transparent yellow triangle in the bottom left corner that overlaps the blinds and the text.

LIGHT AND SHADE

Outdoor blinds & venetian blinds

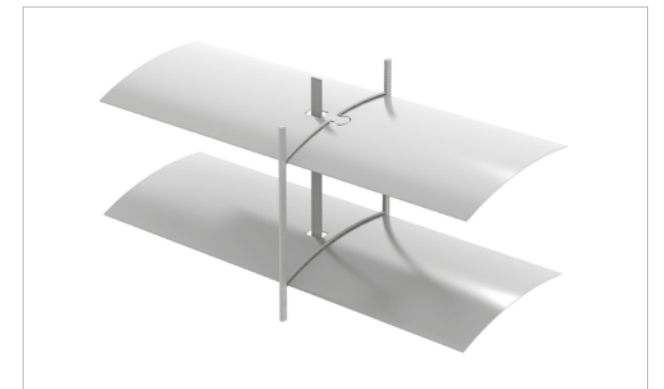
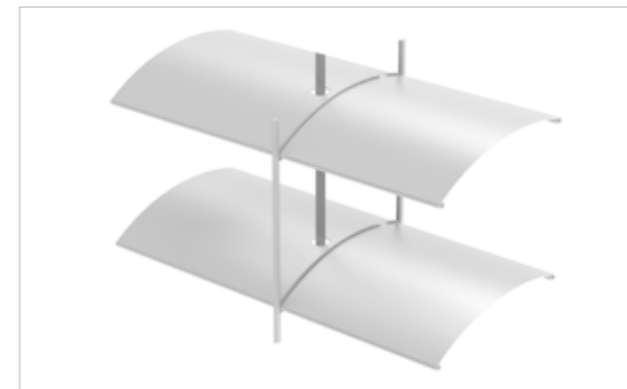
CONTENTS

Form and function Overview	4
S-shaped slat The prettiest shape to control the daylight	6
Z-shaped slat Modern all-rounder	8
C-Slat The proven classic	10
External venetian blind Soft lines thanks to flexible slats	12
Quiet innovations Highlights	14
Mounting systems Panels/channels and package heights	16
Slat colours Standard colors	18
ONYX The Smart-Home-System from HELLA	20
The world of HELLA Premium quality for generations	22





FORM AND FUNCTION



S-shaped slat
Elegant soft wave contour and perfect light control towards the inside

Z-shaped slat
Light control with modern geometric shape

C-shaped slat
Edge-flanged and straight, simply elegant

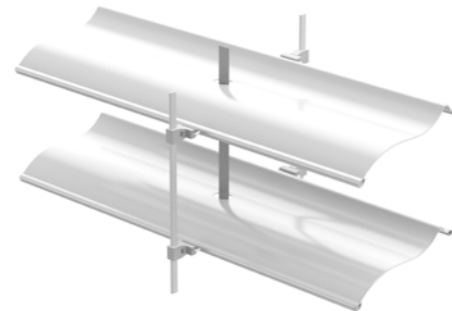
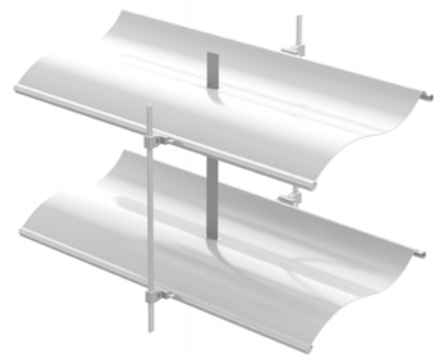
External venetian blind - C slat flat
Soft lines thanks to flexible slats

S-SHAPED SLAT

The prettiest shape to control the daylight

The soft curve shape gives HELLA's S-shaped slat its name. HELLA invented the S-shaped outdoor blind slat and registered it for design patent. The final development of the shape was carried out in cooperation with an institute specialised in light technology. There is the standard variant of the S-shaped slat with 92 millimetres, and there is a narrower one available with a slat width of 63 millimetres, which is perfectly suitable

for little recess depths with small wall structures or for renovations. These outdoor blinds are provided with the innovative ECN-system, are nearly noiseless and very wind-resistant. The HELLA daylight control system controls and doses the daylight. It creates a comfortable atmosphere with little energy consumption because of the less frequently use of artificial light.



AR 92 S ECN

Elegant soft wave contour and perfect light control towards the inside

AR 63 S ECN

Perfect for narrow wall constructions or retrofitting



Cord guide available

For special requirements such as corner situations the S slat is also available with cable guide.

Excellent closing characteristics

Both slat profiles close quietly thanks to the built-in sealing profile

Limit sizes [mm]	AR 63 S ECN	AR 92 S ECN
Minimum width	450 (motor) / 430 (crank)	450 (motor) / 430 (crank)
Maximum width – single unit	5000 (motor /crank)	5000 (crank handle/motor)
Maximum height	4200 (motor /crank)	5200 (crank handle/motor)
max. blind surface [m²] – group units	18 (motor) / 14 (crank)	18 (motor) / 14 (crank)
max. blind surface [m²] – group units	22.5 (motor) / 12.6 (crank)	22.5 (motor) / 12.6 (crank)

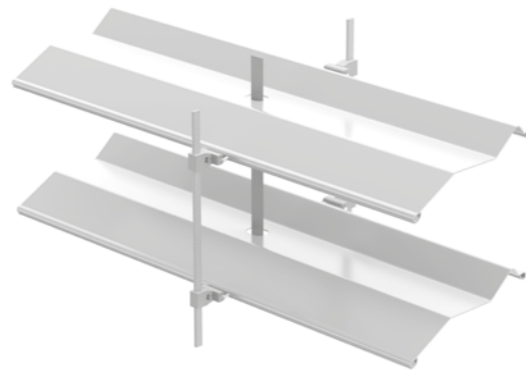


Z-SHAPED SLAT

Modern all-rounder

The high-quality HELLA outdoor blinds with Z-shaped slats are the perfect shading system for modern residential and office buildings. The design inspires architects. Its function provides greatest well-being, operating comfort and always the perfect daylight, from dark to bright. The outdoor blinds with Z-shaped

slats are not only available with the standard width of 92 mm, but there is also a small variant available with a width of 63 mm only. The innovative ECN-system piles up the slats to accurate packages. Optionally, the Z-slat is also available with cable guide.



AR 92 Z ECN

Light control with modern geometric shape

AR 63 Z ECN

perfect for subsequent installation or for slim walls.



Cord guide available

For special requirements such as corner situations the Z-slat is also available with cable guide.

Excellent closing characteristics

Both slat profiles close quietly thanks to the built-in sealing profile

Limit sizes [mm]	AR 63 Z ECN	AR 92 Z ECN
Minimum width	450 (motor) / 430 (crank)	450 (motor) / 430 (crank)
Maximum width – single unit	5000 (motor /crank)	5000 (crank handle/motor)
Maximum height	4200 (motor /crank)	5200 (crank handle/motor)
max. blind surface [m²] – group units	18 (motor) / 14 (crank)	18 (motor) / 14 (crank)
max. blind surface [m²] – group units	22.5 (motor) / 12.6 (crank)	22.5 (motor) / 12.6 (crank)

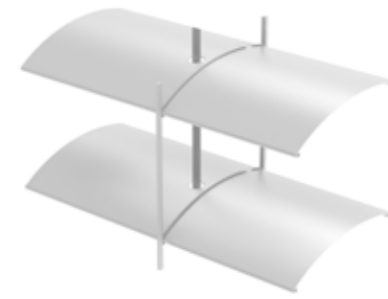


C-SHAPED SLAT

The proven classic

The ARB 80 model is a proven classic. Like all HELLA outdoor blinds, they are made of a highly flexible special aluminium alloy and are convex-concave formed. The slats are flanged at the sides and rail-guided with alternating pins. The perforations, which are also flanged, protect the lift tapes and make plastic clips superfluous. It is thus a sun and weather protection for generations. On request, these external venetian blinds are also available with a special turn for daylight control.

Limit sizes [mm]	ARB 80
Minimum width	430 (motor) / 420 (crank)
Maximum width – single unit	5000 (crank handle/motor)
Maximum height	5200 (crank handle/motor)
max. blind surface [m ²] – group units	20 (motor) / 14 (crank)
max. blind surface [m ²] – group units	22.5 (motor) / 12.6 (crank)



ARB 80
Edge-crimped and straight stacking on top of each other



With guide rail
Opened by 90°



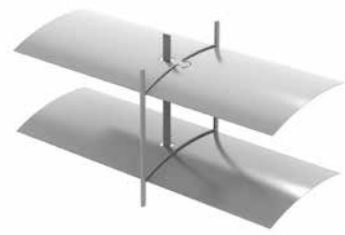
With guide rail
Closed



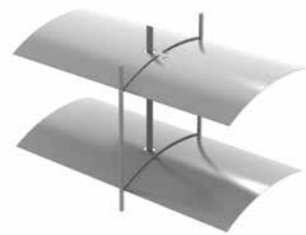
EXTERIOR VENETIAN BLINDS

Soft lines thanks to flexible slats

The traditional venetian blind with flat slats is available in widths from 60 to 80 millimetres. This sun and weather protection is delicate, lightweight and can be architecturally very stylishly integrated into most facades. Exterior venetian blinds have a compact package height and in addition offer excellent protection. The slats "bounce" back to their initial form in case of wind load.



AF 60



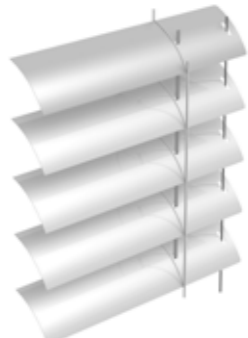
AF 80



AF 80 Plus
For extreme heights and with additional wind stabilisation



with wire tensioning
Opened by 90°



with wire tensioning
Opened by 45°



with wire tensioning
Closed

Limit sizes [mm]	AF 60 / AF 80	AF 80 Plus
Minimum width	490 (motor) / 485 (crank)	580 (motor)
Maximum width – single unit	5000 (motor /crank)	5000 (motor)
Maximum height	4000 (motor /crank)	6200 (motor)
max. blind surface [m²] – group units	20 (motor) / 14 (crank)	20 (motor)
max. blind surface [m²] – group units	22.5 (motor) / 12.6 (crank)	—





OMEGA PUNCHING

The ladder bar fixation with the Omega punching for C-slats guarantees safe closing and turning behaviour even in windy conditions.



BORDERED HOLLOW PUNCHINGS

The HELLA standard is unique on the market. The punchings protect the lift straps. Smooth running is guaranteed.

LOUD QUIET INNOVATIONS

Silent seal

Integrated rubber dampers significantly reduce noise when the external venetian blind moves.

- **Recently developed guide rail clip seal with softer rubber absorbers extruded on to reduce noise.**
- **Available for all standard guidings and flush-mounted guide rails**
- **Alternatively in black or grey**
- **Maximum element width 3000 mm**



Silent packages

There are two Silent packages to choose from, which reduce vibrations and thus noise transmission into the mounting base.

The **Silent package for guide rails**, which consists of the Silent seal the noise-reducing vertical bracket VT1G and one basis for noise insulation.

The **Silent package for cable guided units** consists of a noise-reduced vertical bracket VT1G and the noise-reducing plain washers for the cable holders.

Our Silent package for guide rail and cable guide can be extended with a Silent motor. The Silent packages can be extended with "**Silent-PLUS**". The noise-reduced motor is suitable for a maximum hanging area of 10 square metres

MOUNTING SYSTEMS

With front-mounted systems from HELLA, outdoor blinds or exterior venetian blinds are fully pre-assembled in the channel. In this way the final installation on-site is easily and quickly feasible. This installation option is suitable for subsequent installation in new or old buildings and also for the integration in the thermal insulation composite system. Retrofitting in existing shaft systems is also possible.

Edged prefabricated system

For installation as a screen or with plaster base for integration into the plaster facade



Extruded front system

As a screen or with plaster base in the same box appearance as the front-mounted roller shutter



Façade system self-supporting

Powder-coated visible channel, especially suitable for assemblies and mullion-transom facades



Shaft system 2.5

Suitable up to a width of 2.5 metres as a self-supporting installation in on-site shafts



Shaft system 4.0

Suitable up to a width of 4 metres as a self-supporting installation with a reinforced cover for on-site shafts



Top Boards/Channels

Top boards and U-channels protect the HELLA outdoor blinds and exterior venetian blinds and, due to their different forms and variants, they perfectly fit in into the design of the facade. If they are equipped with plaster supports, the blinds and channels allow the sun protection to disappear behind the façade without a trace. In contrast to top boards, U-channels are flush with the wall and are not only available with a surface that can be plastered but also with an insulation that avoids thermal bridges and that complement the thermal insulation composite system seamlessly.

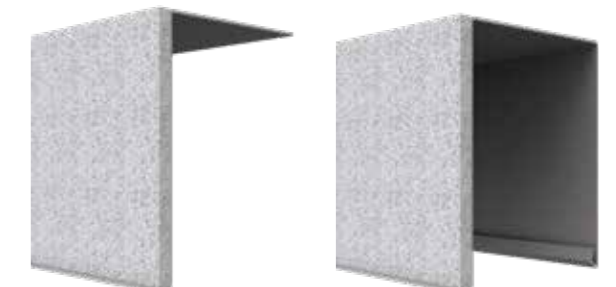
L-blind



U-channel



Top boards and channels with plaster bases



U-channel with insulation at the back



U-channel with insulation top and rear



U-channel with plaster base and with insulation above and behind



PACKAGE HEIGHTS

The specification of the package height is required for the planning of the recess and top board height; it specifies the height of the outdoor blind or exterior venetian blind with raised slats. It depends on the complete height, the selected slat width and the slat shape.



**DIRECTLY
CALCULATE!**

SLAT COLORS

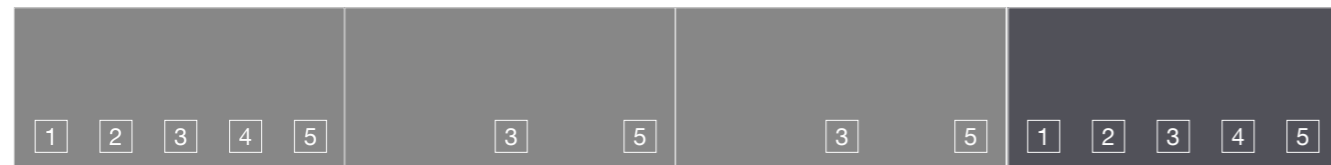
Standard colors



RAL 9016 **Traffic white** RAL 9010 **Pure white** RAL 9002 **Grey white** RAL 7035 **Light grey**



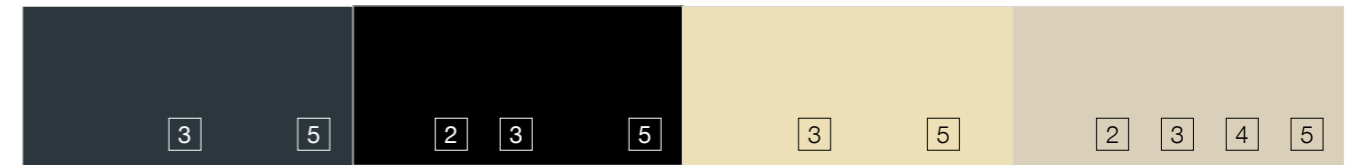
RAL 7038 **Agate grey** RAL 9006 **White-aluminium** RAL 9006M **White aluminium, matt** RAL 9006T* **white aluminium titanium***



RAL 9007 **Grey aluminium** RAL 9007M **Grey aluminium matt** RAL 9007T* **grey aluminium titanium*** DB 703 **Anthracite iron mica**



DB 703M **Anthracite iron mica matte** DB 703T* **Anthracite micaceous iron ore Titanium*** RAL 7016 **Anthracite grey** RAL 7016M **Anthracite grey matt**



RAL 7016T* **Anthracite titanium*** RAL 9005M **Jet black, matt** VSR 0240 **Light beige** 0003 **Beige**



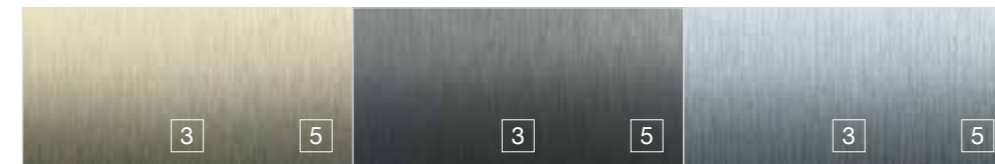
VSR 0110 **Dark beige** RAL 1007 **Daffodil yellow** RAL 6005 **Moss-green** RAL 8014 **Sepia brown**



C31 **Light bronze** C32 **Light bronze** C33 / VSR 0780 **Bronze** C34 **Dark bronze**



C35 **Black** RAL 7016 **Anthracite grey** DB 703 **Anthracite iron mica**
RAL 9016 **Traffic white** RAL 9016 **Traffic white**



Gold **Dark Grey** **Natural**

Structure colours*
Anodized look

The slat colours C31, C32, C33, C34, C35 and structural anodised colours are painted in an anodised look. With regard to colour shade and brightness, the slat colors can differ from the color of the anodized parts. Slats in special colours and special designs are available for a surcharge.

* Titanium slat coating and structure colours in anodised look at an extra charge.

Available slat shapes

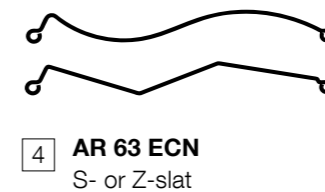


1 **AF 60**
Flat slat

2 **AF 80 and AF 80 Plus**
Flat slat



3 **ARB 80**
C-slat



4 **AR 63 ECN**
S- or Z-slat



5 **AR 92 ECN**
S- or Z-slat



ONYX

The Smart-Home-System from HELLA

The Smart-Home-System ONYX.HOME was specially developed for the operation of sun protection products. Venetian blinds, outdoor blinds, awnings, and roller shutters are conveniently controlled by smart phone, tablet, or fully automatic. All products are graphically displayed in the free ONYX app and can be visually identified by colors.

The sun shading products can also be controlled by voice control, push-buttons, by the ONYX.CLICK hand-held radio transmitter, or the ONYX.SWITCH wall-mounted radio transmitter. The HELLA ONYX system can be connected to all common smart home systems and allows the sun to get in only where it is wanted.

For a smart home

Smart playing with the sun! Be it a room flooded with light in winter or a shaded terrace on a hot summer's day – with the ONYX.HOME control system, it has never been easier to guide the daylight and make optimum use of it within your own four walls. Digital, automatic, and in real time!



Control system for offices, etc.

Whether it's an apartment building or a large office complex – ONYX.PRO from HELLA has the building's energy balance for architecture of any size under control. ONYX.PRO provides a uniform façade appearance and protects the sunshade from the influence of weather. In coordination with the electrical planner, HELLA takes over the pre-configuration and commissioning of the sun protection systems. More sun protection – less air conditioning!





The HELLA headquarters with plant in Abfaltersbach, East Tyrol

Alois Kraler
Founder of the company HELLA

PREMIUM QUALITY FOR GENERATIONS

The company was established in the year 1959 in Abfaltersbach in Austria and has since been in the ownership of the Kraler family. From a small family-run business in the East Tyrol mountains, it has now become one of the leading companies in sun and weather protection technology. HELLA, as the only full service provider in the market, attaches great importance to everything being produced in-house. Technology, production, consulting and also installation if required – premium quality is the benchmark here. All products are manufactured individually to measure, and the in-built components are designed for robustness and long service life.

A look at the whole room

Venetian blinds, roller shutters, awnings or pergola – Sun protection systems from HELLA are more than just smart shade givers. The intelligent systems play elegantly with light and shadows and create individual spatial experiences. With the products of the premium provider from Austria, you can control your personalised daylight profile in all internal and external spaces. Over and above that, the shading systems from HELLA also help in reducing energy consumption when equipped with weather sensors.

HELLA

Brochure | External Blinds & Venetian Blinds

7500 0001_EN

02/2023

Subject to modifications.