

Technical Documentation

PROPERTIES

ISODUCT-ADVANCE is an innovative, newly developed, self-supporting all-tube system, from damp-proof EPP material.

With its unique and protected Easy-Click system is fast, clean and sleeveless welding to install. ISODUCT Advance complies with the provisions of EnEV 2009 to insulate the air ducts in the ventilation and is installed as a replacement for the coiled tube installation.

The pipe system is available in size DN 150 / 210. It reduces the installation cost of the system substantially and saves an additional insulation of the pipes.

With only three parts form the system is easy to install and reduces storage costs. The connection sleeve is only required for Shortened tubes.

Tube and sheet are a rigid system and guarantee lasting seal for years.

The improved insulating efficiency (over 40% of similar systems) is not interrupted by joints made of foreign materials. By high density material and insulation thickness results in very high fitting accuracy. The provisions of the existing german energy saving regulations are complied with.

TRANSPORT

ISODUCT - ADVANCE PIPE

The pipe is supplied as a half-shell and is assembled on site. Reason is that as the larger packaging units, while the transport costs. The gearing is a tongue and groove set so that an incorrect assembly is not possible.

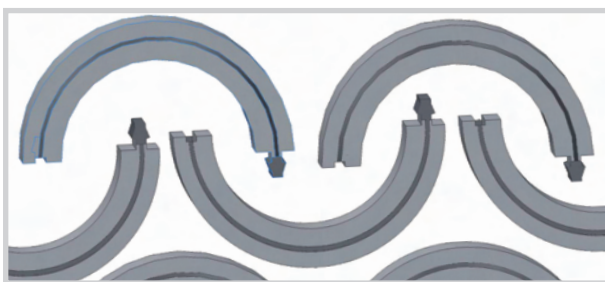


Image N° 3 Packing Schema



Image No.4 The engagement must be squeezed completely

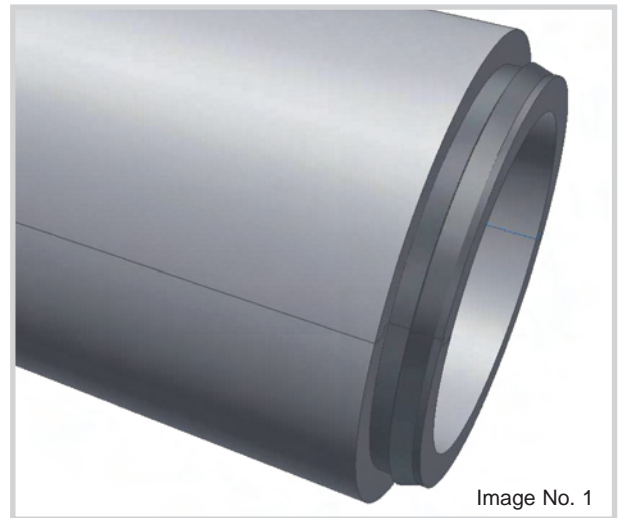


Image No. 1

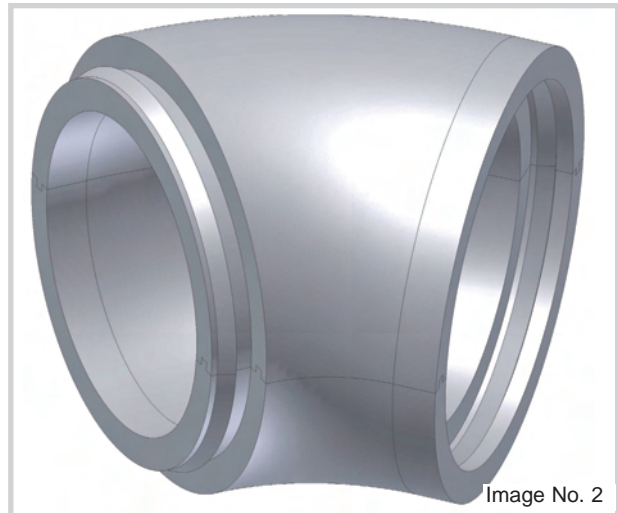


Image No. 2

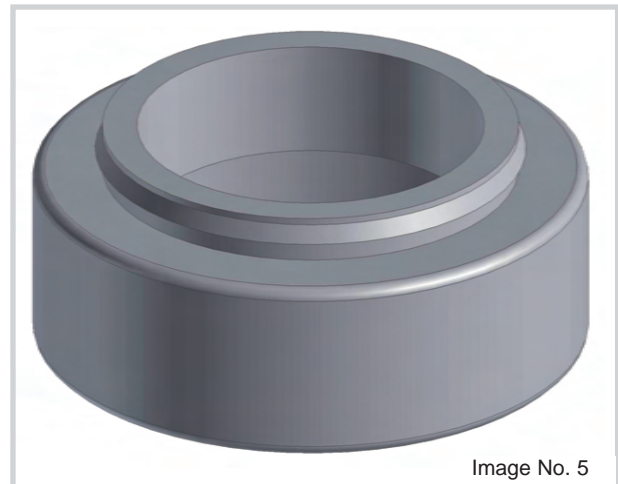


Image No. 5

ISODUCT - ADVANCE bow and sleeve

The arch is on both sides with easy-click system equipped. Thus, the tube can be mounted without tools. The sleeve is designed as a one-sided thrust sleeve and comes with cut or shortened tubes to use. The second page is the easy-click system equipped to be connected to the tube or the sheet.

Technical Documentation

INSTALLATION INSTRUCTIONS

The pipe system ISODUCT - ADVANCE is an air line for INNO-Products-ventilation systems designed and manufactured.

Misuse of the use and application in conjunction with non-INNO Products GmbH materials supplied, may result in damage and be responsible for the INNO-Products GmbH provides no liability.

The pipe system ISODUCT - ADVANCE may only be installed by a licensed operation.

The installation must comply with the applicable rules and Vorschriften made in technology and in accordance with the provisions of the state building code. Here, in particular to the DIN 1986, EN 1086, DIN 4701/10 and noted the EnEV in each valid form.

The product has a 2-year manufacturer's warranty, starting from the delivery date, and is only valid with proof of a material error when properly carry out the installation work.

Use and properties

The application area is within a building, especially in lines of a home ventilation system in the basement, cold or roof area, as well as for connection between the equipment and floors, Central or through distributors in the supply air and exhaust air area.

ISODUCT - ADVANCE is particularly impermeable. Put their lines up to 200 Pa, air tight. Density leads to condensation can be achieved, is used in addition to the links of a non-corrosive plumbing kit or silicone. We recommend to use max. 375 m³ / h.

For shortening the tubes, we recommend a hot wire cutter. Thereafter, the cutting edge of degrees are exempt. Depending on the installation and relocation should be at a gradient. 2% met or a shower tray for the condensation drain is provided.

Attention:

The latch must be installed horizontally.
(see page 1, image 4)

The tubes are approximately every 1.0 to 3.0 meters with a vent clip to attach.

The pipe system is self-supporting according to DIN 4102-1 running in the building material class B2. It may also available in the building material class B1 are produced (flame resistant).

Exterior wall openings shall be protected against water penetration.

Roof penetrations are to be mounted rain fail-safe. We recommend our insulated ducts, which are in the colors terracotta and black, and various roof pitches from 5 ° to 45 ° are available.

High Quality Product, Made in Germany

TECHNICAL DATA

Material density / weight	45g/l
Material	EPP
Heat transfer coefficient	0,04 W/(m.K
according to DIN 52612	
K-Value (U-Value)	1,1 W/m ² K
antistatic properties	
Tube design with easy-click system.	Half shell
Elasticity according to DIN 53512	25%
Weight tube ca.	0,961 kg
Weight elbow 45° ca.	0,123 kg
Weight sleeve ca.	0,087 kg

Application use

Temperature	from - 40°C to +80°C
Fire class according to DIN 4102-1	B2
Fire class EN 13501-1	D
alternative fire class	
DIN 4102-1 / EN 13501-1	B1 / C
Natural attenuation:	
Tube dB/m	LP 3,0
Elbow 45°dB/pcs.	LP 1,3
Mass	
Tube	LxBxH ~ 1005 x 210 mm
Elbow 45 °	LxBxH 210 x 210 x 225 mm
Sleeve	LxBxH 240 x 240 x 100 mm

ORDERING INFORMATION

Description	Art.N°.
ISODUCT- ADVANCE Pipe 1 m = 2 pcs. half shell for sleeve-less mounting Packaging unit range 104pcs. half shell = 52 m	6.260
ISODUCT- ADVANCE Elbow 45° for sleeve-less mounting Packaging unit carton / pallet 25 St. / 6 x 25 St.	6.261
ISODUCT- ADVANCE Sleeve for mounting and connecting pipes is abbreviated Packaging unit carton / pallet 48 pcs. / 6 x 48 pcs.	6.262
ISODUCT- ADVANCE Branch 45° to create inspection holes and branches	6.021

Your INNO-Products-Partner: